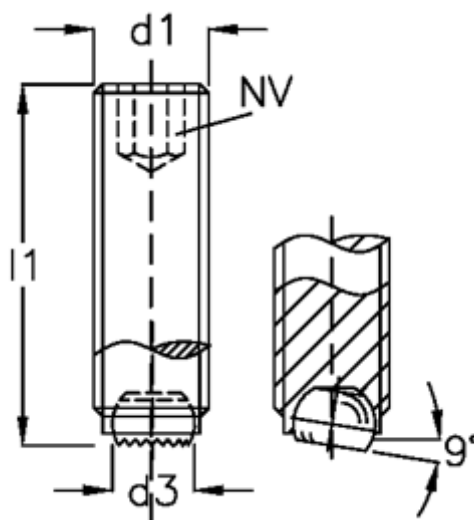


Article number: 20907708

Description: E+G Ball point screw  
GN 605-M16-50-VR

## Measures

---



d1	= M16
d2	= 12.0
d3	= 10.7
Internal hexagon	= 8
l1	= 50